

# MEDIA AIR CLEANER

Models: FC-1400 & FC-2000



**NOTE:** This device should be installed by a **qualified agency\*** in accordance with the manufacturer's installation instructions.

\*The definition of a qualified agency is: any individual, firm, corporation or company which either in person or through a representative is engaged in, and is responsible for, the installation and operation of HVAC appliances, who is experienced in such work, familiar with all the precautions required, and has complied with all the requirements of the authority having jurisdiction.



**WARNING:** Read the installation instructions carefully and completely before proceeding with the installation.

## GENERAL SYSTEM INFORMATION

Field Controls high efficiency series of media air cleaners are designed for installation into heating, ventilation, air conditioning (HVAC) systems to reduce the amount of airborne particulate (1.0 micron and larger) including pollen, dust and dander promoting better indoor air quality. The media air cleaner should be installed in the return air system duct, such that all of the circulated air passes through the filter. For maximum filtering performance, the air circulation fan should operate continuously.

Model	FC - 1400	FC - 2000
Nominal Filter size	16" x 25" x 5"	20" x 25" x 5"
Air flow range	600-1400 CFM	600-2000 CFM
MERV rating	11	11
Filter Replacement P/N	46568500	46568600
Cabinet dimensions	16-1/4" x 24-7/8" x 7-1/8"	20-1/4" x 24-7/8" x 7-1/8"
Cabinet opening dimensions	13-7/8" x 22-1/2"	17-7/8" x 22-1/2"
UL filter media listing	Class 2	Class 2

**NOTE: FOR OPTIMUM PERFORMANCE, REPLACE THE MEDIA FILTER EVERY 6 TO 12 MONTHS.**

**DO NOT DESTROY**

THESE INSTRUCTIONS MUST REMAIN WITH EQUIPMENT



**FIELD CONTROLS**

**Solutions for the Great Indoors™**

2630 AIRPORT ROAD • KINSTON, NC 28504

Phone: 252-522-3031 • Fax: 252-522-0214

[www.fieldcontrols.com](http://www.fieldcontrols.com)

# MOUNTING OPTIONS

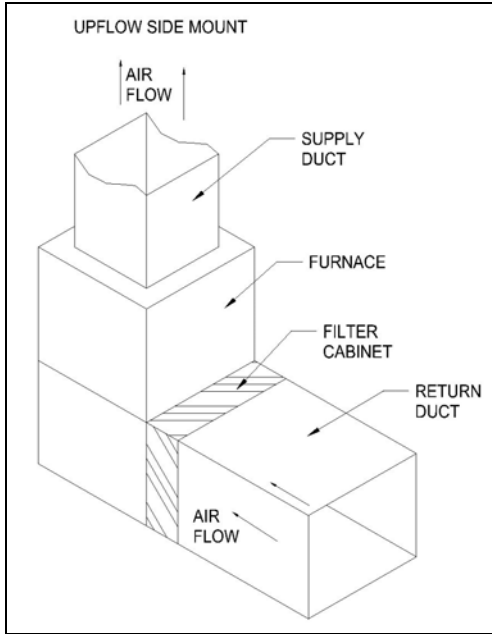


Figure 1

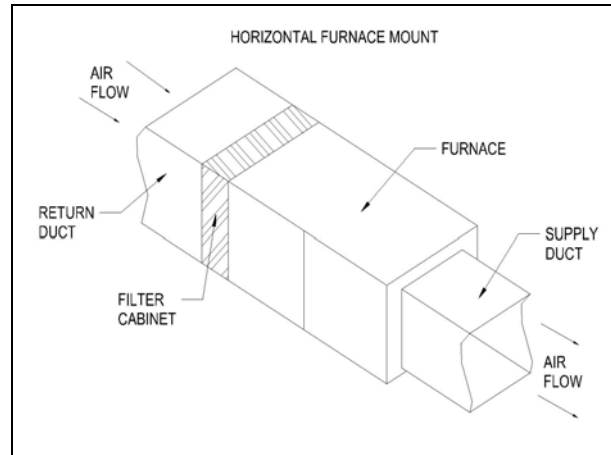


Figure 3

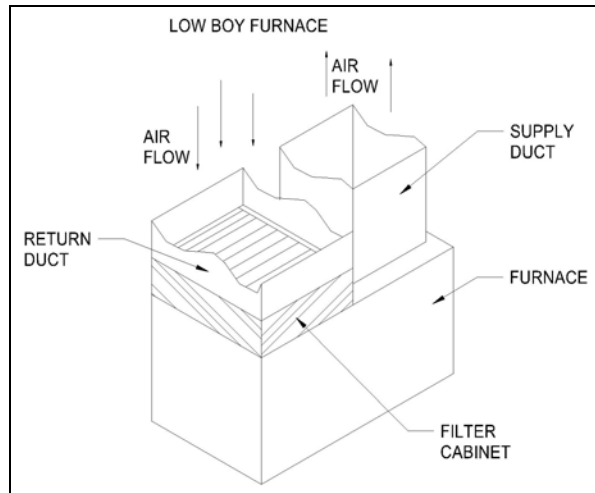


Figure 4

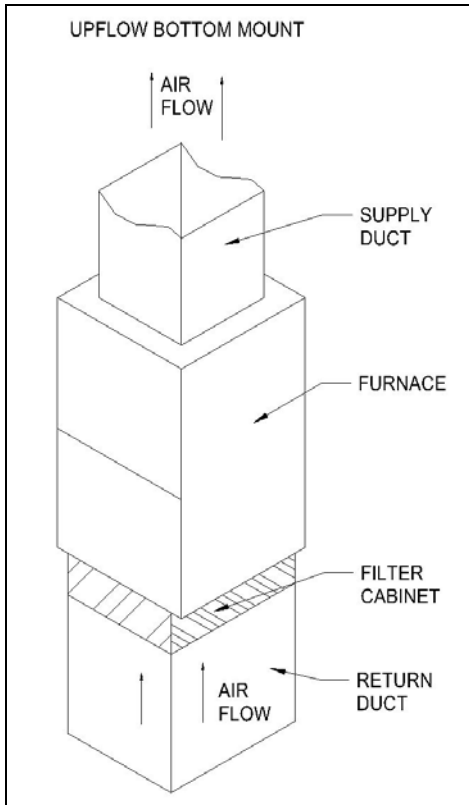


Figure 2

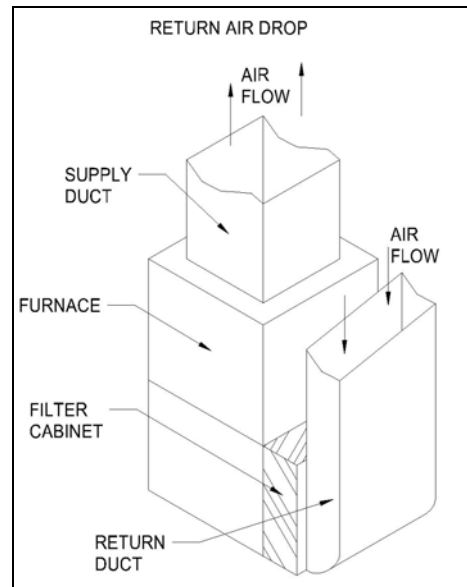


Figure 5

## CAUTION:

Before installing a media filter into the HVAC system, the Qualified Agency must consider the additional pressure drop being added to the HVAC system.

1. The filter must be installed on the return side of the HVAC system, between the return air duct and the intake of the system blower. **NEVER** install on the supply side of the HVAC system.
2. The filter access panel **MUST** be installed where there is at least twenty-six (26) inches in front of it. This allows clearance for the replacement of the media filter.
3. Some installations may require a duct transition. Transitions may be needed to reduce pressure drop and maintain appliance efficiency. The appliance must operate within the manufacturer's recommended temperature and pressure drop requirements.
4. Check the flow capacity and pressure drop (Figure 6) to determine the filter is properly sized.

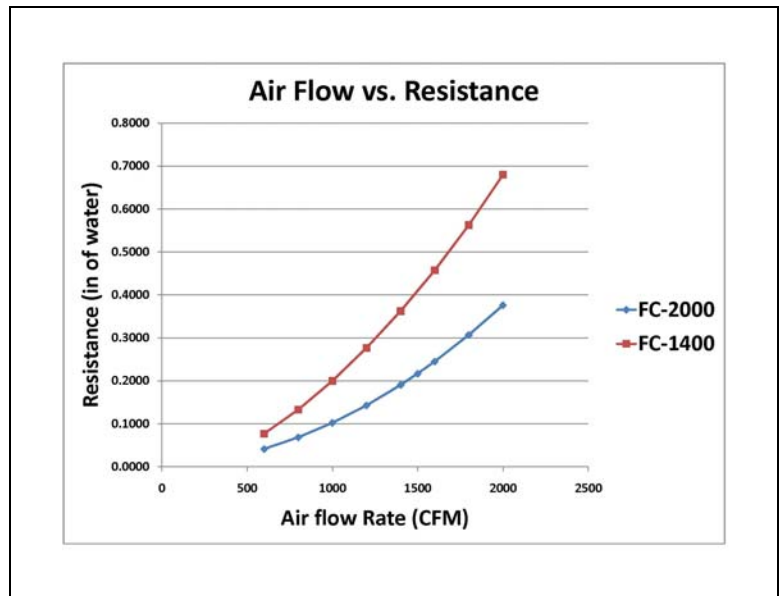


Figure 6

## INSTALLATION:



**WARNING:** Always shut off the electrical power supply before working on the appliance.

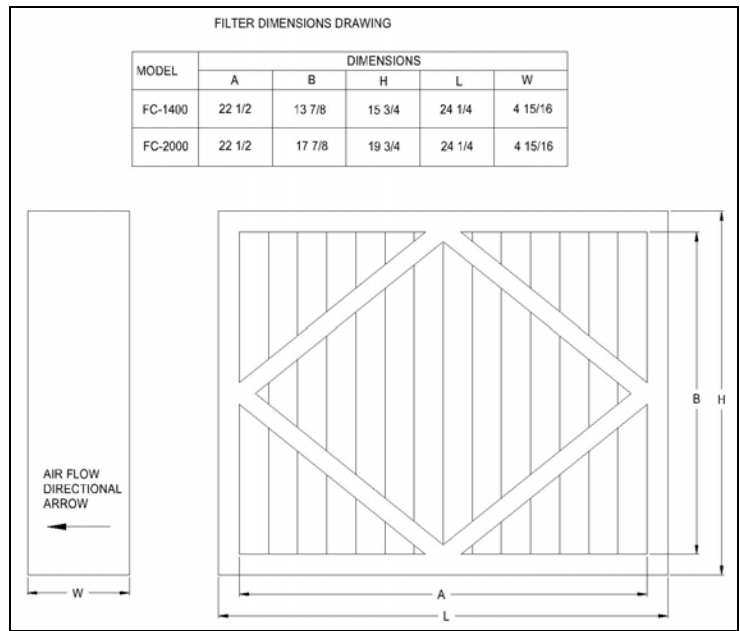
1. Refer to the typical mounting positions (Figures 1 to 5) for proper placement of the filter cabinet.
2. Remove the metal filter cabinet from the carton and plastic bag.
3. Remove the access panel door and pull the media filter (in plastic bag) out of the cabinet. **DO NOT** install the media filter with the plastic bag around it.
4. Position cabinet so access panel is available for easy media filter replacement. The access panel **MUST** be accessible to remove and replace the media filter. (**Note:** Minimum of twenty-six (26) inches for front clearance).
5. Position the filter cabinet onto return air side of the appliance (Figures 1 to 5). Duct transitions may be required to properly mount the filter cabinet.
6. When the filter cabinet is mounted directly to the appliance or existing duct, mark the inside opening of the filter cabinet and all 12 mounting screw locations.
7. Drill the marked mounting holes with a 1/8 inch diameter drill bit. Remove the marked filter opening with metal cutting shears or equivalent.
8. Attach filter cabinet to the appliance or duct work using #8 X 1/2 inch long sheet metal screws or pop rivets. Seal the housing connections with aluminum duct tape or equivalent.
9. Remove media filter from the plastic bag and discard the plastic bag. **TIP:** Write the installation date on filter next to directional arrow for future filter replacement reference. The media filter **MUST** be installed **WITHOUT** the plastic bag.
10. Install media filter into the filter cabinet.
11. Install the filter cabinet access panel.
12. Place appliance back into service. Appliance must operate within the appliance manufacturer's recommended temperature and pressure drop requirements.

**MAINTENANCE:**

The media filter *MUST* be replaced periodically. The reason is to maintain appliance operating efficiency by minimizing pressure drop through the HVAC system. The frequency of filter media replacement depends on the operational environment. The need for replacement is easily determined by a visual inspection. Note: For optimum performance, replace the media filter every 6 to 12 months.

**MEDIA FILTER REPLACEMENT PROCEDURE:**

1. Turn off electrical power to the HVAC system.
2. Remove the filter cabinet access panel.  
**Note:** "AIR FLOW" directional arrow, located on existing media filter (Figure 6).
3. Remove the existing filter media.
4. Remove the new media filter from the plastic bag.  
**Tip:** Re-use plastic bag to discard the used media filter.
5. Check media filter directional arrow (→)! The directional arrow **MUST** point in the direction of air flow.  
**Tip:** Write the installation date on media filter next to directional arrow for future filter replacement reference.
6. Install the new media filter.
7. Install the filter cabinet access panel.
8. Turn on electrical power to the HVAC system.



**Figure 7**

**REPLACEMENT PARTS LIST:**

Air cleaner Model	Replacement filter size	Replacement filter part number	Number of filters per carton
FC - 1400	16 x 25 x 5	<b>46568500</b>	3
FC - 2000	20 x 25 x 5	<b>46568600</b>	3

**Limited Warranty**

Field Controls, L.L.C. warrants that the following Field Controls, L.L.C. products sold hereunder, shall be free from defects in material and workmanship under normal use for eighteen (18) months from date of manufacturing by the consumer excepting the provisions numbered below.

**Provisions:**

1. Field Controls shall have no obligation in the event the customer is unable to provide receipt showing the date the customer purchased the product(s) or accurate date code information.
2. The product must be properly installed, maintained and operated under normal conditions.
3. Field Controls shall not be liable for any consequential and incidental damages, resulting from failure of a Field Controls, L.L.C. product, failure to deliver, delay in delivery, delivery in nonconforming condition, or for any breach of contract or duty between Field Controls, L.L.C. and the customer.
4. Field Controls, L.L.C. products are often intended for use in specific applications. Field Controls, L.L.C. makes no warranty if a Field Controls, L.L.C. product is used in applications other than intended.
5. Field Controls, L.L.C. makes no warranty of any kind in regard to any other manufacturer's products distributed by Field Controls, L.L.C. Field Controls, L.L.C. will pass on all warranties made by the manufacturer and where possible, will expedite the claim on behalf of the customer, but ultimately, responsibility for disposition of the warranty claim lies with the manufacturer.



**FIELD CONTROLS**  
 Solutions for the Great Indoors™